



a xylem brand

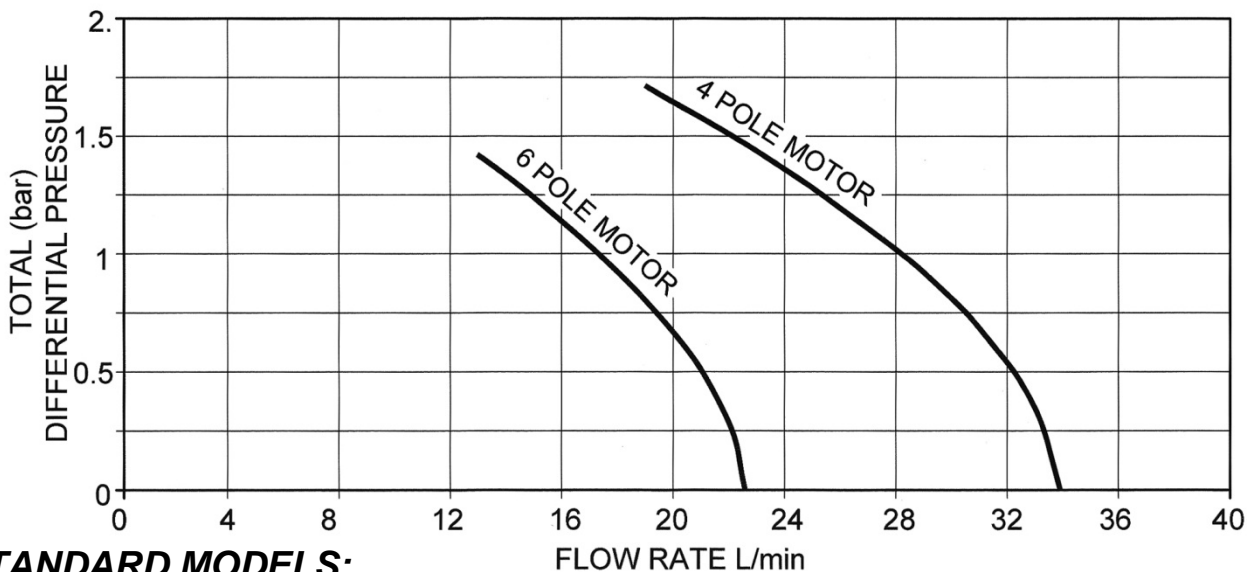
28220 SERIES FLEX IMPELLER HYGIENIC STAINLESS STEEL MOTOR PUMP UNITS (P40 size)

FEATURES:

- Self-primers from dry up to 3 metres
- Flows up to 33 litres per minute
- Pressures up to 1.7 bar.
High pressure impeller version 2.5 bar max
- Handles soft solids up to 8mm diameter
- FDA Materials Certified
- Clean-In-Place (CIP) or easy strip clean
- Maximum viscosity:
4 pole motor approx 150cP
6 pole motor approx 700cP
- Low shear design



PUMP PERFORMANCE:



STANDARD MODELS:

MODEL	IMPELLER	PORTS	SEAL	MOTOR	SPEED	POWER
28220-4105C	3A Neoprene	1" RJT	Carbon / Ceramic	230/1/50Hz	4 pole	0.55kW
28220-4105L	3A Neoprene	1" RJT	Carbon / Ceramic	230/1/50Hz	6 pole	0.37kW
28220-4105E	3A Neoprene	1" RJT	Carbon / Ceramic	230-400/3/50Hz	6 pole	0.55kW
28220-4105H	3A Neoprene	1" RJT	Carbon / Ceramic	230-400/3/50Hz	4 pole	0.55kW

Other hygienic ports available: Tri-clamp, IDF/ISS, 3A Bevel seat, DIN11851, and SMS 1145

DOC647/17



Xylem Water Solutions UK Ltd
 Bingley Road • Hoddesdon • Hertfordshire • EN11 0BU • UK
 Telephone: +44 (0)1462 480380 Fax: +44 (0)1462 482422
 mail@cleghorn.co.uk www.jabscoshop.com

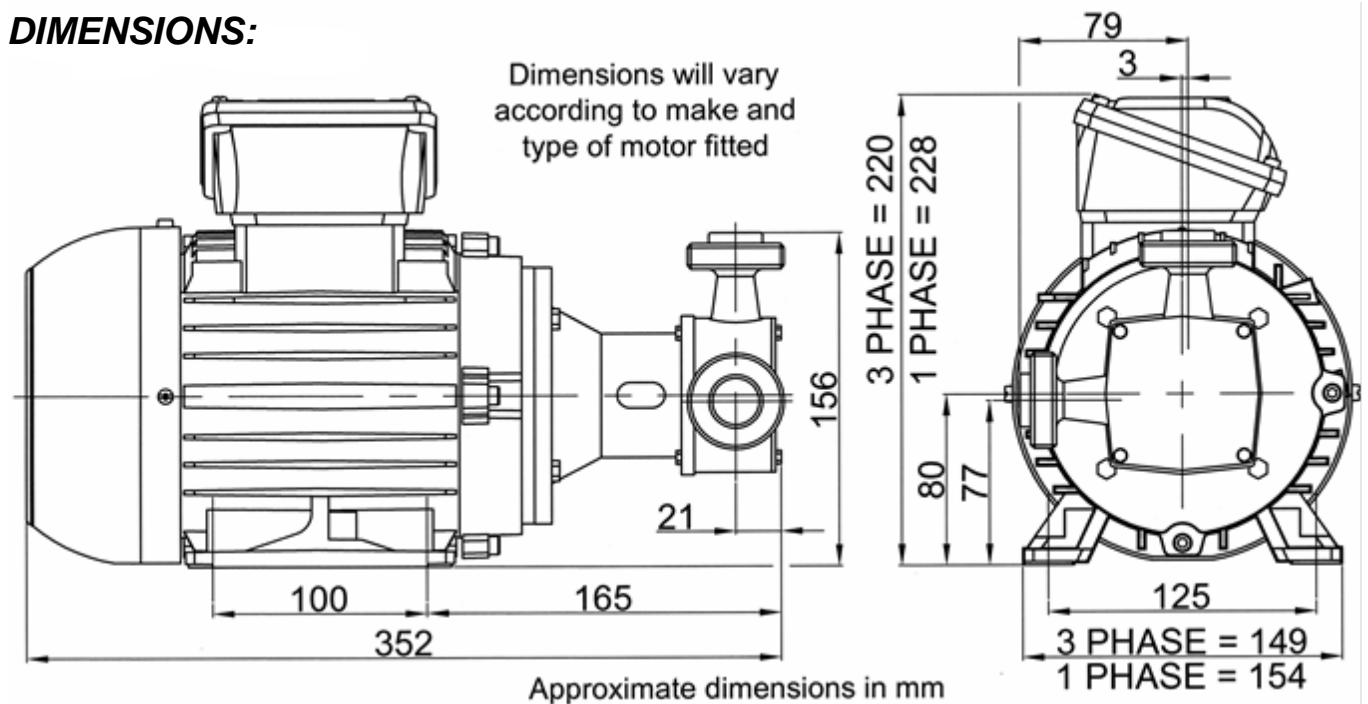
IMPELLER TEMPERATURE RANGE:

ELASTOMER OPTION	3A Neoprene	E.P.D.M.
TEMPERATURE RANGE	4°C to 65°C	4°C to 90°C

SPECIFICATIONS:

SEAL OPTIONS:	Carbon / ceramic mechanical face seal (standard). Tungsten carbide / ceramic hard faced seal Flushed options for crystallising fluids
SEAL ELASTOMER:	Food grade nitrile
PUMP HEAD:	Stainless steel 316, machined interior and electro polished exterior finish
END COVER:	Stainless steel 316 grade
SHAFT:	Stainless steel 316 grade
MOTOR:	TEFV & IP55
MOTOR ADAPTOR:	Epoxy coated cast iron

DIMENSIONS:



WARNING

Explosive hazard. **DO NOT** pump petrol, solvents, thinners or other flammable liquids with a flash point below 37°C (98°F)